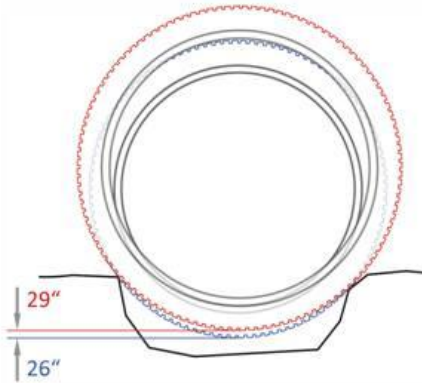
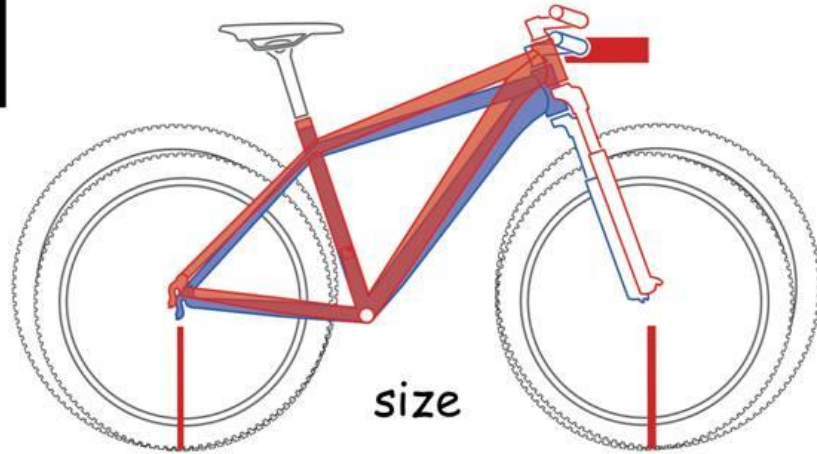




# 29" vs 26"



- 17" = 18"
- 19" = 20"
- 21" = 22"
- 23"

